

SLBR/SLER

Street Lighting Pole

"Changing the face of the city" **design pole**



PROJECT	
QUOTE	
PREPARED BY	
DATE	

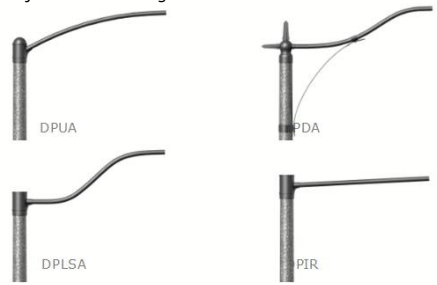
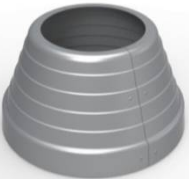
DESCRIPTION

The Street Lighting Pole is our traditional pole. Sturdier than our Small Round Pole, the SLBR/SLER is ideal for parking lots, neighborhood and roadway lighting. Designed for optimum strength, the Street Lighting Pole retains the round, tapered feature of DesignPole, the optimal form for wind loads.

ORDERING INFORMATION

Ordering Example: SLER-6.5-SG-DG-DPUA

MODEL	NOMINAL HEIGHT	POLE FINISH	STEEL PART FINISH
SLBR (Anchor Base)	6.0 (19'-0")	White Granite (WG)	DG : Dark Grey (Glossiness : 20%)
SLER (Direct Buried)	6.5 (20'-6")	Roof Grey Small (RGS)	LG : Light Grey (Glossiness : 50%)
	7.0 (22'-0")	Stained Glass (SG)	MG : Metallic Grey (Glossiness : 92%)
	7.5 (24'-0")	Brown Light (BL)	
	8.0 (25'-6")	Brown Dark (BD)	
	8.5 (27'-0")	Choco Mint (CM)	
	9.0 (28'-6")		
	9.5 (30'-0")		
	10.0 (32'-0")		

TENON	ARM	OPTIONS
T1 : 2-3/8" O.D. x 4" T2 : 2-3/8" O.D. x 6" T3 : 2-7/8" O.D. x 3" T5 : Other (Contact Manufacturer)	* All models available in double-sided form * Adjustable arm length 	BC : Base Cover • BOTTOM : 21 1/4" O.D. ~ 17 1/16" O.D. • HOLE : 10 7/8" O.D. ~ 8 3/4" O.D. • HEIGHT : 11 7/8" ~ 9 7/8" 

NOTES :

1. SLBR : Base Plate Type (Anchor Base) / SLER : Embedded Type (Direct Buried)
2. In the case of SLER, the height listed is from ground level and does not include the embedded depth.
3. For more of our arms, see our Arms detail.
4. For custom tenons/arms, please consult manufacturer before ordering.

design pole

"Changing the face of the city"

3580 Wilshire Blvd., Suite 900-22 Los Angeles, CA 90010

Website_www.design-pole.com

Tel_(213)487-3036

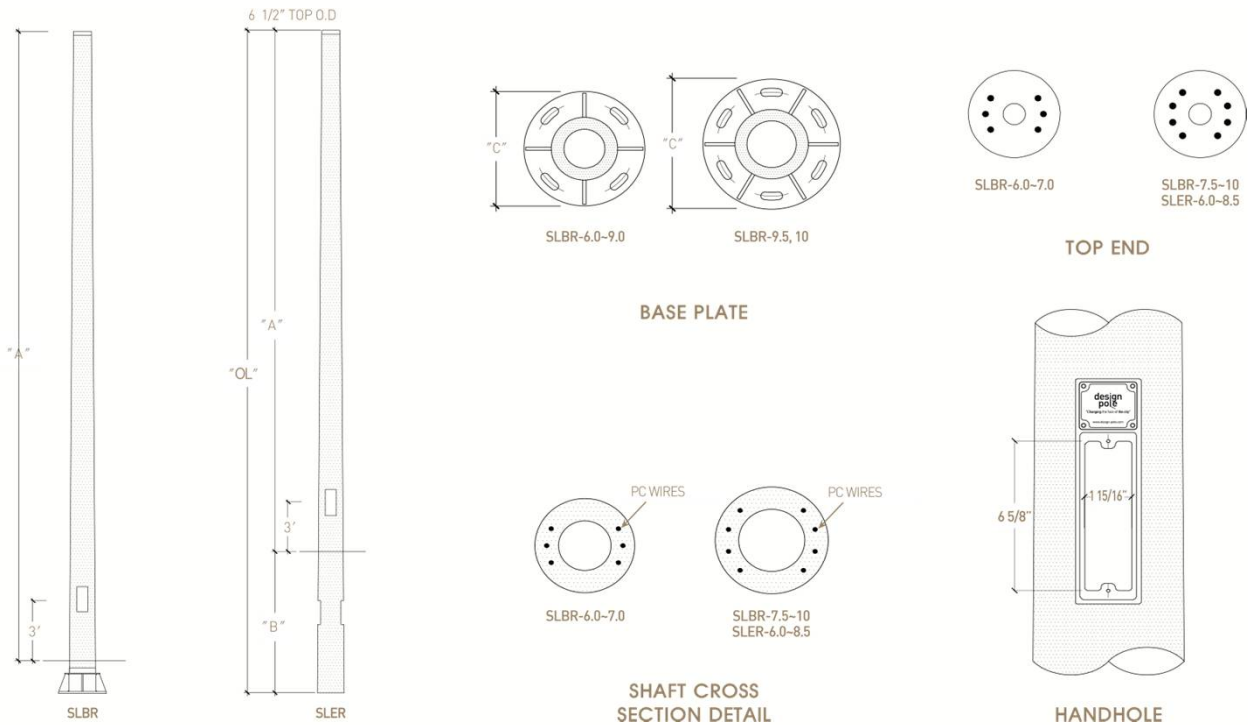
STREET LIGHTING POLE SPECIFICATION

Base Plate Type

PRODUCT NUMBER	POLE HEIGHT "A"	TOP O.D.	BASE O.D.	ANCHOR BOLT	BOLT CIRCLE	BASE PLATE "C"	ULTIMATE G.L. MOMENT [FT. LBS.]	WEIGHT [LBS.]	MAXIMUM EPA/MPH[SQ FT]*					
									80	90	100	110	120	130
SLBR-6.0	18'-10 3/8"	6 3/4"	8 1/2"	1" X 36" X 4	12 3/16"	15 3/8"	35,220	880	10.9	9.4	8.2	7.2	6.5	5.8
SLBR-6.5	20'-6 1/16"	6 5/8"	8 1/2"	1" X 36" X 4	12 3/16"	15 3/8"	35,220	940	12.7	10.4	9.0	8.0	7.1	6.4
SLBR-7.0	22'-1 3/4"	6 1/2"	8 1/2"	1" X 36" X 4	12 3/16"	15 3/8"	35,220	1,000	13.3	11.4	10.0	8.8	7.9	7.1
SLBR-7.5	23'-9 7/16"	6 11/16"	9 1/2"	1" X 36" X 4	14 1/8"	17 5/16"	46,260	1,190	14.8	12.7	11.1	9.8	8.8	7.9
SLBR-8.0	25'-5 1/8"	6 1/2"	9 1/2"	1" X 36" X 4	14 1/8"	17 5/16"	46,260	1,240	16.3	14.0	12.2	10.8	9.6	8.7
SLBR-8.5	27'-0 13/16"	6 5/8"	9 1/2"	1" X 36" X 4	14 1/8"	17 5/16"	46,260	1,370	17.0	14.6	12.7	11.2	10.0	9.0
SLBR-9.0	28'-8 1/2"	6 1/2"	9 1/2"	1" X 36" X 4	14 1/8"	17 5/16"	46,260	1,420	18.4	15.8	13.8	12.2	10.9	9.8
SLBR-9.5	30'-4 1/8"	6 11/16"	10 1/2"	1" X 36" X 6	15 3/4"	19 11/16"	55,670	1,620	20.1	17.3	15.1	13.3	11.9	10.7
SLBR-10	31'-11 7/8"	6 1/2"	10 1/2"	1" X 36" X 6	15 3/4"	19 11/16"	55,670	1,680	21.8	18.7	16.3	14.4	12.9	11.6

Embedded Type

PRODUCT NUMBER	ABOVE GRADE HEIGHT "A"	BASE O.D.	OVERALL LENGTH "OL"	EMBEDDED DEPTH "B"	ULTIMATE G.L. MOMENT [FT. LBS.]	WEIGHT [LBS.]	MAXIMUM EPA/MPH[SQ FT]*					
							80	90	100	110	120	130
SLER-6.0	18'-10 3/8"	8 11/16"	23'-9 7/16"	4'-11"	40,400	1,040	11.5	9.9	8.6	7.6	6.8	6.1
SLER-6.5	20'-6 1/16"	8 7/8"	25'-5 1/8"	4'-11"	41,830	1,130	12.7	10.9	9.5	8.4	7.5	6.7
SLER-7.0	22'-1 3/4"	8 13/16"	27'-0 13/16"	4'-11"	40,970	1,190	13.6	11.6	10.1	9.0	8.0	7.2
SLER-7.5	23'-9 7/16"	8 15/16"	28'-8 1/2"	4'-11"	42,120	1,270	14.7	12.6	11.0	9.7	8.7	7.8
SLER-8.0	25'-5 1/8"	9 5/8"	30'-8 1/8"	5'-3"	48,550	1,460	16.5	14.1	12.3	10.9	9.7	8.8
SLER-8.5	27'-0 13/16"	9 7/8"	32'-3 13/16"	5'-3"	50,140	1,550	17.7	15.2	13.3	11.7	10.5	9.4



design pole

"Changing the face of the city"

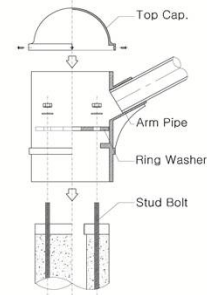
3580 Wilshire Blvd., Suite 900-22 Los Angeles, CA 90010

Website_www.design-pole.com

Tel_(213)487-3036

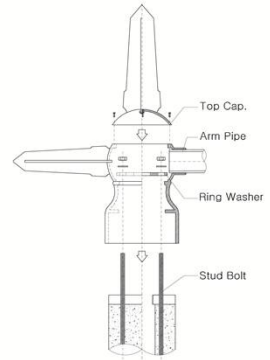
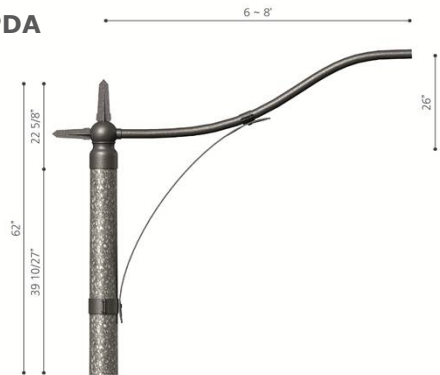
ARM SPECIFICATION

DPUA



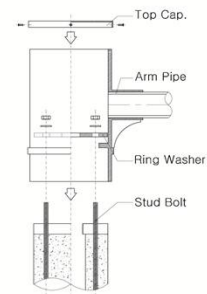
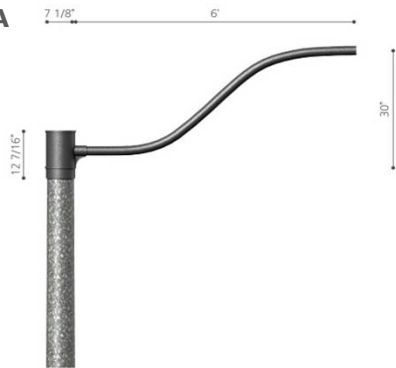
Mounting method

DPDA



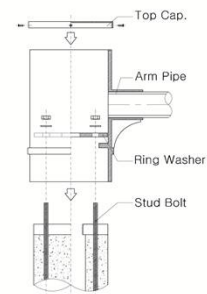
Mounting method

DPLSA



Mounting method

DPIR



Mounting method

design pole

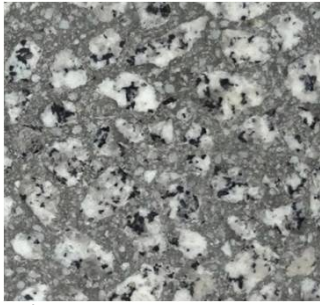
"Changing the face of the city"

3580 Wilshire Blvd., Suite 900-22 Los Angeles, CA 90010

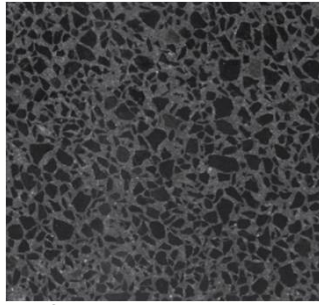
Website_www.design-pole.com

Tel_(213)487-3036

POLE FINISH



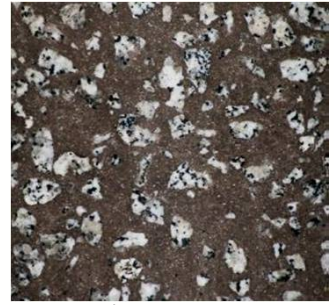
White Granite



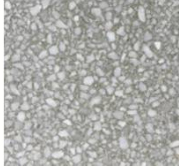
Roof Grey S



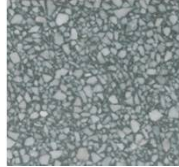
Stained Glass



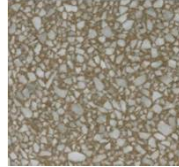
Brown Light



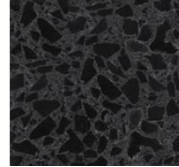
Wall Stone



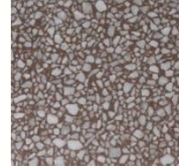
Candy Blue



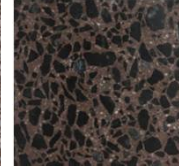
Fade Orange



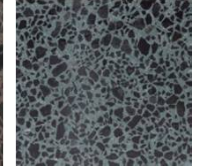
Roof Grey B



Passion Red



Brown Dark



Choco Mint

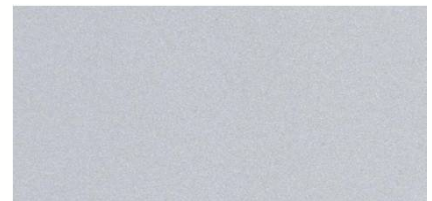
STEEL FINISH



Dark Grey



Light Grey



Metallic Grey

FEATURES

1. Prestressed spun concrete makes DesignPole one of the strongest in the market.
2. The addition of natural stone aggregates, besides strengthening the concrete, makes for an aesthetically pleasing look.
3. This concrete is processed with our patented polishing technique that exposes a unique surface that resembles terrazzo.
4. DesignPole virtually eliminates maintenance costs. No need for painting or coating.
5. DesignPole can withstand any weather condition, such as heavy rain and wind, in any environment, such as the oceanfront or desert.
6. Customization available. Consult manufacturer.

design
pole

"Changing the face of the city"

3580 Wilshire Blvd., Suite 900-22 Los Angeles, CA 90010

Website www.design-pole.com

Tel_ (213)487-3036